

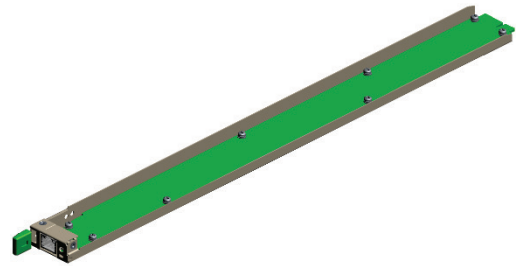
LITEON GROUP

Description

Power Innovations International's (Pii) power management controller (PMC) is a management and communication module for Pii's 19" MGX power shelves that contain rectifier, DC/DC or inverter modules. The PMC is a hot-swappable, plug-in module that monitors all power conversion modules within the power shelf. On the front of the PMC is an RJ45 to communicate to the Rack Management Controller or other monitoring software for power shelf data and/or event-based responses.

Features and Benefits

- Monitors up to six power conversion modules
- Hot-swappable for easy installation and maintenance
- Configurable alarm and reminder notifications
- Real-time monitoring capability for power shelves
- Real-time alarm logging and delivery
- SNMP (v2c, v3), web server, RestAPI, and IPMI support for remote management
- Secure web interface
- 10/100/1000 Ethernet port support IPv6, SNMPv3
- External security IC included
- Supported PoE function

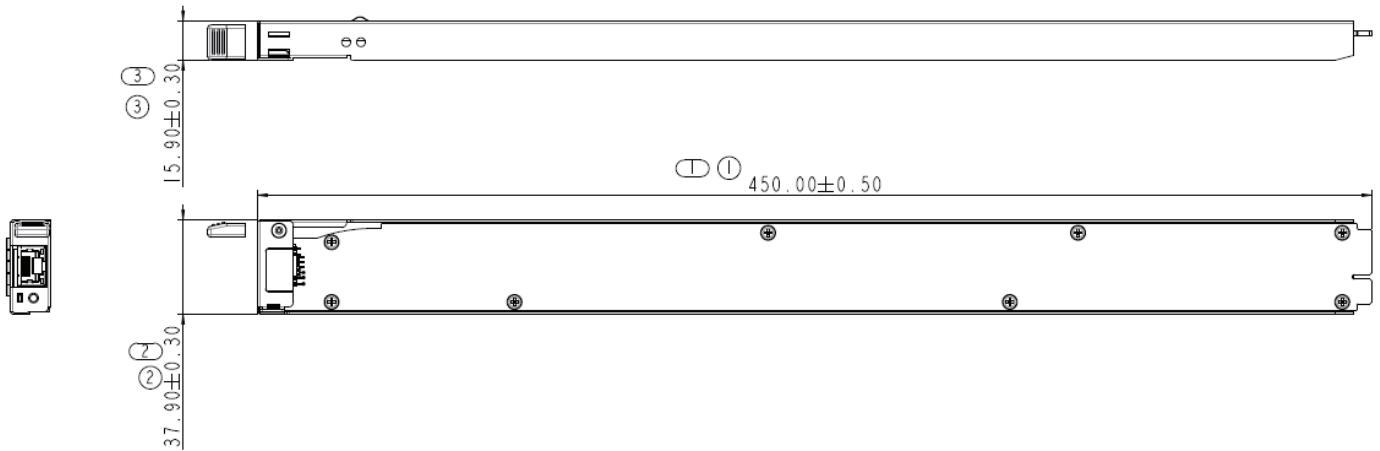


Specifications

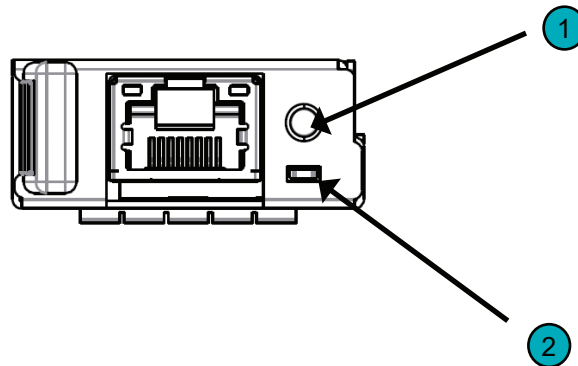
Electrical	
Input Voltage	12 Vdc / 48 Vdc (from modules within power shelf)
Input Current	0.2 A (from modules within power shelf)
Mechanical	
Dimensions (W x H x D)	1.49" x 0.63" x 17.72" (37.9 mm x 15.9 mm x 450 mm)
Weight	1.59 lbs (0.72 kg)
Environmental	
Operating Temperature	+5 °C to +35 °C
Storage Temperature	-40 °C to +60 °C
Humidity	8% to 85% relative (non-condensing)
Altitude	Operating: 0 m to 3000 m, Storage: 0 m to 15,000 m
EMI	CISPR 22 Class A -6dB
General	
Safety Standards	UL 62368-1; CE marking

LITEON GROUP

Product Dimensions (mm)



Front Panel



1	LED	PMC status indicator
2	Reset button	Reset function

Life Support Policy: Power Innovations International (Pii) does not authorize the use of any of its products for use in life support devices or systems without the express written approval of an officer of the Company. Life support systems are devices which support or sustain life, and whose failure to perform, when properly used in accordance with instructions for use provided in the labeling, can be reasonably expected to result in significant injury to the user.

Pii reserves the right, without notice, to change design or construction of any products and to discontinue or limit distribution of any products. Pii also reserves the right to change or update, without notice, any technical information contained in this bulletin.

Document No.: DATA156
Last Updated: February 3, 2026

Power Innovations International
1305 South 630 East
American Fork, UT 84003
United States
www.PowerInnovations.com