

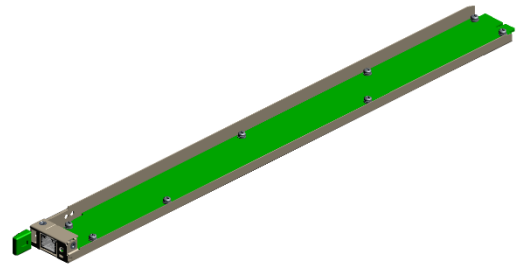
LITEON GROUP

Description

Power Innovations International's (Pii) power management controller (PMC) is a management and communication module for Pii's DC/DC converter and inverter modules. The PMC communicates with these power conversion modules via Modbus RS-485. The upstream system controller can communicate with the PMC via Ethernet to control the shelf, change parameters, and collect data from the power conversion modules. The PMC receives power from the power conversion module's auxiliary standby power within the shelf.

Features and Benefits

- Monitors up to six power conversion modules
- Hot-swappable for easy installation and maintenance
- Configurable alarm and reminder notifications
- Real-time monitoring capabilities for shelves
- Real-time alarm logging and delivery
- SNMP (v2c, v3), web server, RestAPI, and IPMI support for remote management
- Secure web interface
- 10/100/1000 Ethernet port support IPv6, SNMPv3
- External security IC included
- Supported PoE function



Specifications

Electrical

Input Voltage	12 V / 48 Vdc
Input Current	0.2 A
Upstream Communication	Ethernet (read, write, broadcast)
Downstream Communication	Modbus RS-485 (read, write, broadcast)

Physical

Dimensions (W x H x D)	1.49" x 0.63" x 17.72" (37.9 mm x 15.9 mm x 450 mm)
Weight	1.59 lbs (0.72 kg)

Environmental

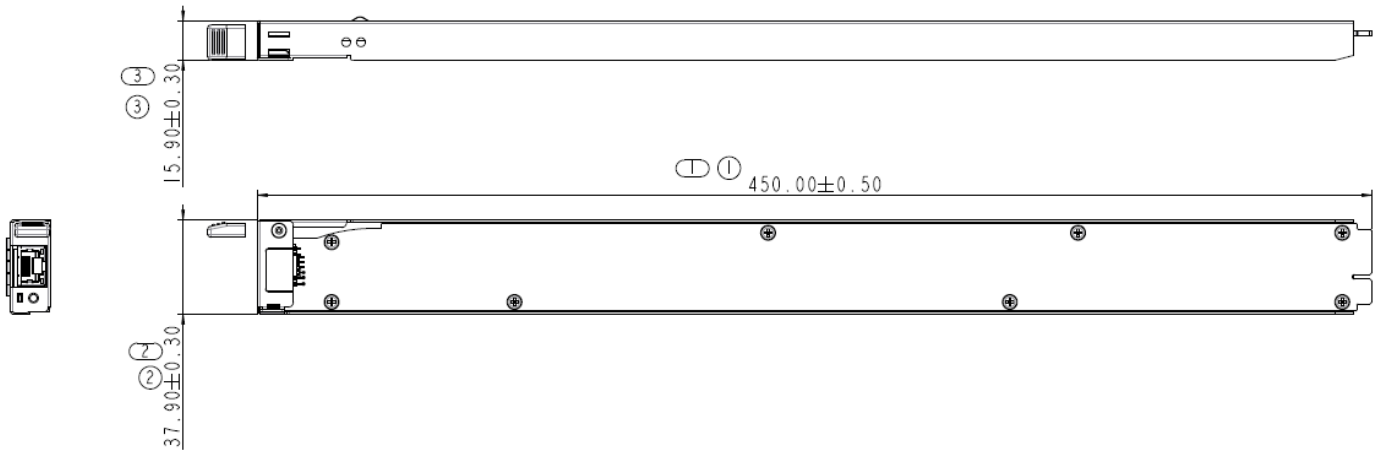
Operating Temperature	+5 °C to +35 °C
Storage Temperature	-40 °C to +60 °C
Humidity	8% to 85% relative (non-condensing)
Altitude	Operating: 0 m to 3000 m
EMI	CISPR 22 Class A

General

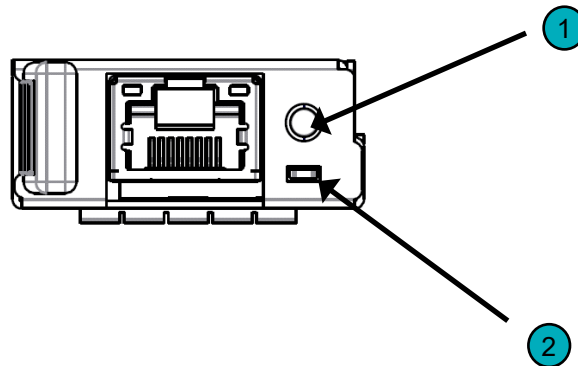
Safety Standards	UL 62368-1; CE marking
------------------	------------------------

LITEON GROUP

Product Dimensions (mm)



Front Panel



1	LED	PMC status indicator
2	Reset button	Reset function

Life Support Policy: Power Innovations International (Pii) does not authorize the use of any of its products for use in life support devices or systems without the express written approval of an officer of the Company. Life support systems are devices which support or sustain life, and whose failure to perform, when properly used in accordance with instructions for use provided in the labeling, can be reasonably expected to result in significant injury to the user.

Pii reserves the right, without notice, to change design or construction of any products and to discontinue or limit distribution of any products. Pii also reserves the right to change or update, without notice, any technical information contained in this bulletin.

Document No.: DATA125
Last Updated: March 17, 2025

Power Innovations International
1305 South 630 East
American Fork, UT 84003
United States
www.PowerInnovations.com