

LITEON GROUP

EVQC030-E to EVQC060-E

30 - 60 kW Outdoor Mobile DC Quick Charger

Description

The EVQC030-E to EVQC060-E is a mobile all-in-one family of DC quick chargers capable of up to 60 kW continuous charging output. This product offers highly flexible, field-configurable Vac input power, which enables accepting the most common distribution voltages. It is directly pluggable into suitable wall outlets and is rated for outdoor use.

All of Power Innovations International's EV chargers have industry-standard connectivity and fast-charging processes and useability.

Features and Benefits

- Highly flexible power input with no de-rating
- Field scalable power, from 30 up to 60 kW
- Greater than 1 million hours MTBF on PSU topology
- IP54/NEMA 3R enclosure
- Field replaceable power modules
- Multiple initiation/authorization methods



Applications

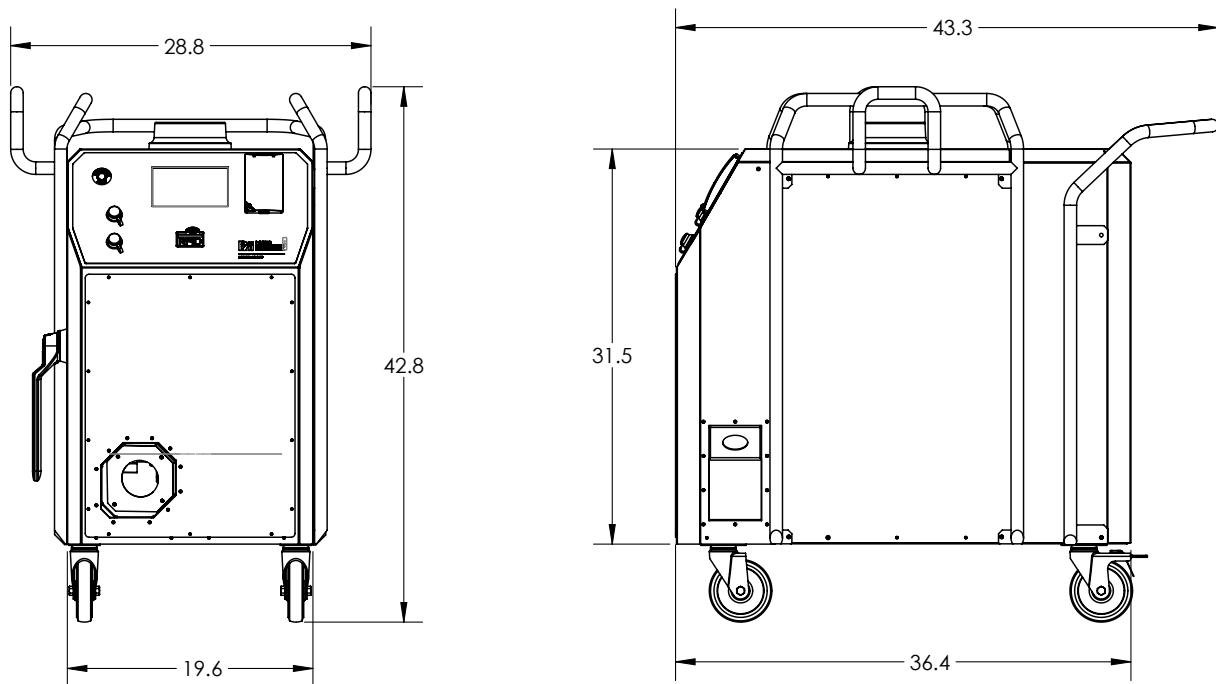
- Residential and multi-unit dwellings
- Small, mid, and large fleets & depots
- Body shops and repair shops
- Retail and hospitality
- OEM test facilities
- Public and commercial buildings
- Municipalities

Field Configuration Patent Pending

Specifications

Input Voltage	240 Vac Single Phase 208 or 240 Vac 3-Phase Delta 480 Vac 3-Phase Wye
Input Current	265 A maximum (240 Vac Single Phase) 175 A maximum (208 or 240 Vac 3-Phase Delta) 100 A maximum (480 Vac 3-Phase Wye)
Output Power	60 kW maximum
Output Voltage	250 to 920 Vdc
Efficiency	95%
Charging Connector	CCS1
Charging Cable Length	5 m standard
Charging/Data Protocols	DIN 70121 and OCPP 1.6J compliant
Network Interface	Cellular 4G LTE, Wi-Fi
RFID	ISO/IEC 14443 A/B, ISO 15393, NFC Reader Mode
Display	7" color LCD
Operational Temperature	-35 °C to +50 °C
Storage Temperature	-40 °C to +80 °C
Relative Humidity	Up to 95% non-condensing
Altitude	2000 m (6560 ft)
Enclosure Rating	NEMA 3R; IP54
Weight	Up to 140 kg
Certifications	UL2202 (pending)

Product Dimensions, in



Document No.: DATA112
Last Updated: May 9, 2024

Power Innovations International
1305 South 630 East
American Fork, UT 84003
United States
www.PowerInnovations.com

Pii POWER
INNOVATIONS
INTERNATIONAL

LITEON GROUP