

4 ft. Heavy Duty Pedestal for Level 2 EV Chargers Installation Guide

Overview

The 4 ft. heavy-duty EV charger pedestals, models EVPHD4S-Lxx or EVPHD4D-Lxx are pre-configured to mount one or two Level 2 EV chargers (ordered separately). This document provides detailed information on the hardware that ships with the pedestal and installation of the pedestal and supported accessories (ordered separately). It also acts as a supplement to the Installation instructions found in the charger's User Manual.

Supported Pedestals

- EVPHD4S-Lxx – Single 4 ft. Heavy Duty Pedestals pre-drilled for 1 LiteOn Level 2 EV charger
- EVPHD4D-Lxx – Dual 4 ft. Heavy Duty Pedestals pre-drilled for 2 LiteOn Level 2 EV chargers



EVPHD4S-Lxx

EVPHD4D-Lxx

Figure A: An EVPHD4S-Lxx with one EV charger installed on one side and an EVPHD4D-Lxx with two EV chargers installed on opposite sides. Both views shown with optional cable holder accessory installed (ordered separately).

Shipping Box Contents for 4 ft. Pedestal

Part Number	Qty.	Description
HA01669	1	Cap, Flat Top, Black Plastic, 5" Square
HA01695	2	Screw, Hex Head, ¼-20 x 1/2 in., Thread Forming (Cap retainers)
HA01674	8	Screw, Hex Head, ¼-20 x 5/8 in., Thread Forming (to mount charger brackets)
HA01681	4	Concrete Anchor, Wedge, 3/8 x 5 in., Mechanically Galvanized Carbon Steel
HA01621	5	Screw, Self-drilling ¼ in.–14 x 1 in. (to mount optional holster-ships with charger)
HA00955	2	Screw, Ground (green), 10-32 x 3/8 in.
HA01675	2	Nipple, PVC Pipe, Gray, L x OD x ID: 2 ½ x 1 5/16 x 0.957 in.
HA01678	4	Lockring, 1 inch Steel (used with HA01675, the Nipple)
HA01694	1	Plug, Hole, 1 ½" diameter, 10 MM thick, 42 mm Head diameter, Black Plastic (to plug the spare round hole in pedestal when installing single charger)
QS170	1	EVP4S Pedestal Installation Quick-start Guide (this document)

Support Accessory (ordered separately)

The Cable Holder kit described below is a supported accessory for all variations of the 4 ft. Heavy Duty Pedestal.

Part Number	Qty.	Descriptions
EVPHD4-CH		Cable Holder Accessory Kit for 4 ft. Heavy-duty Pedestals: Each kit includes:
	1	Cable Holder
	2	Bolt, Hex Head, 5/16-18 x 1", A307A, Hot Dipped, Galvanized, Steel
	2	Nut, Hex, 5/16-18, Grade 2, Hot Dipped, Galvanized, Steel
	2	Washer, Lock, Split, 5/16, Hot Dipped, Galvanized, Steel

Safety Instructions



ELECTRICAL WARNING! Follow NEC, Local Electrical, and Safety Guidelines when installing the pedestal and/or operating the Level 2 EV chargers.

Install Pedestal

1. Make sure the grid or facility power wires are nearby and then route them up through the open bottom of the pedestal with enough length to reach the charger terminals once the charger is installed.
2. Erect and level the pedestal; then anchor its baseplate to the ground using the 4 wedge anchors provided (Figures B and C).

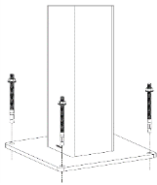
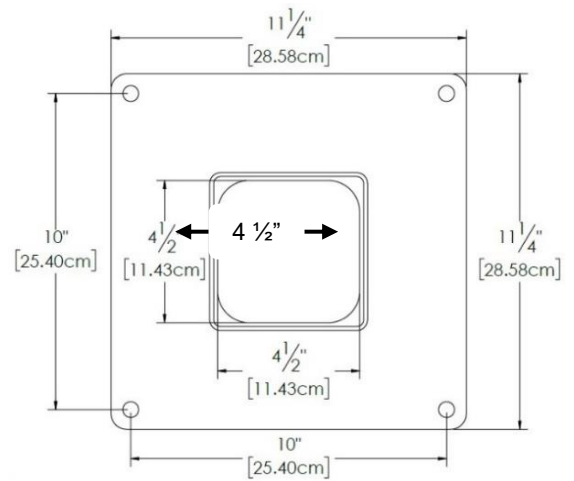


Figure B: Wedge Anchors over Baseplate

Figure C: Baseplate's 10 x 10 inch mounting hole pattern



3. Install one or two EV Charger (ordered separately) on the pedestal as instructed in the charger's User Manual that shipped with your charger(s), and with the additional guidelines below.
 - a. Remove charger's front cover, separate mounting bracket from charger, and mount bracket on pedestal (Figure D).
 - b. Using the green ground screw provided and a dedicated grounding wire with ring terminal, ground the pedestal and charger as required by local regulations (the location of the pre-drilled hole for the ground screw is below the mounting bracket (see arrow in Figure D)).
 - c. Mount open-front charger onto mounting bracket (Figure E).
 - d. Use lockrings to secure nipple (PVC pipe) in round hole in post and charger (Figure E):
 - (1) Thread first lockring on one end of nipple; (2) Insert nipple down open top of pedestal and into round hole and inside charger; (3) Hold lockring end of nipple in place inside post and thread second lockring on the other end of nipple inside charger and secure the nipple.
 - e. Route power cables in pedestal out nipple, connect them to the charger, and return charger's front cover.
 - f. If installing one charger only on this pedestal, plug the spare round hole with the small plug provided (Figure G).

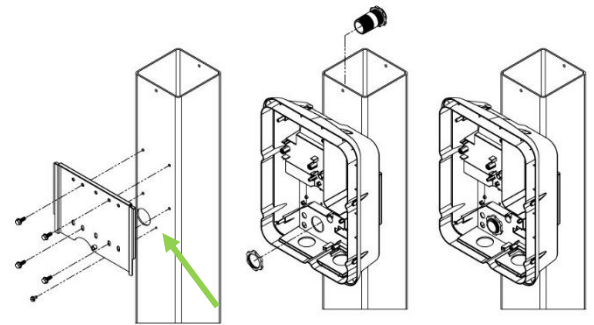


Figure D: Mounting bracket and ground screw installation location on pedestal

Figure E: Open-faced charger mounted on bracket with nipple and lockring before and after securing through pedestal and charger

4. (Optional) If installing one or two accessory cable holders (Figure F), connect one cable holder to the pedestal on the right side of its charger using the 2 pre-drilled holes at the top of the pedestal and 2 nuts, bolts, and washers provided.

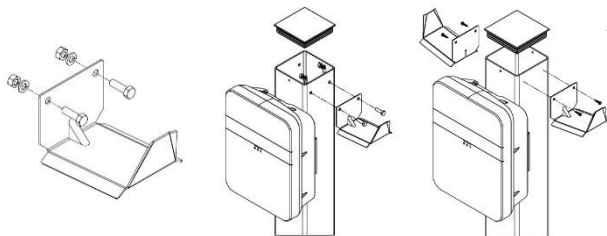


Figure F: Optional Cable Hanger Kit (ordered separately) and placement when supporting 1 or 2 chargers

Figure G: Cap and Plug

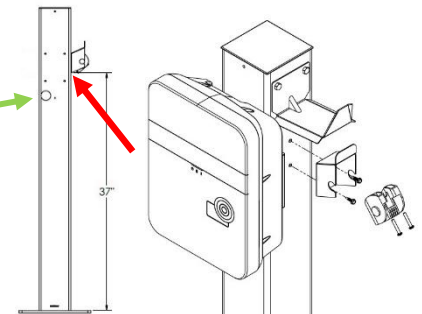


Figure H: Suggested placement of bottom of holster hook is 37 inches above baseplate

5. Place cap (Figure G) into top of pedestal and secure with the 2 screws provided.
6. (Suggestion) A holster for the charging handle ships with the EV charger. If you choose to install this optional accessory, we offer the following suggestions:
 - Use placement shown in Figure H for holster: Place bottom of holster hook 37 inches up from baseplate.
 - Use a 2-gauge drill bit (diameter .221) and 2 of the self-drilling screws included to mount the holster's hook.
 - Refer to charger's user guide for detailed instructions on how to secure the holster permanently in its hook.