

LITEON GROUP

EVFC120, EVFC150 & EVFC180 120 to 180 kW All-in-One DC EV Fast Chargers

Description

The EVFC120 to EVFC180 is an all-in-one DC quick charger that enables a scalable, continuous charging output in a single footprint. This product offers highly flexible and field configurable Vac input power, which allows accepting the most common distribution voltages, thus reducing overall infrastructure and construction costs.

All of Power Innovations International's EV chargers have standard industry connectivity for fast charging, remote services, and software updates.

Features and Benefits

- Highly flexible power input with no de-rating
- Scalable power: 120 to 180 kW in same unit
- Field replaceable power modules
- Greater than 1 million hours MTBF on PSU topology
- IP54/NEMA 3R enclosure
- Multiple payment/authorization methods
 - RFID and credit card
- Remote upgrades via over-the-air updates

Applications

- Highway infrastructure
- Retail and hospitality
- OEM test facilities
- EV infrastructure and service providers
- Public and commercial buildings
- Municipalities
- Small, mid, and large fleets & depots



Cabinet model without
cable management



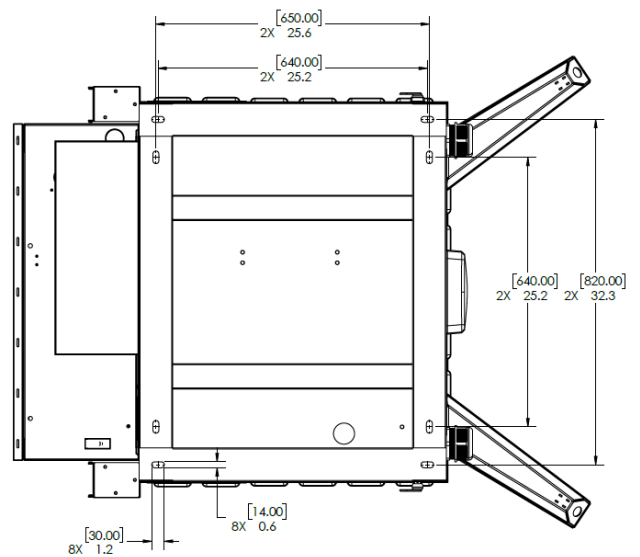
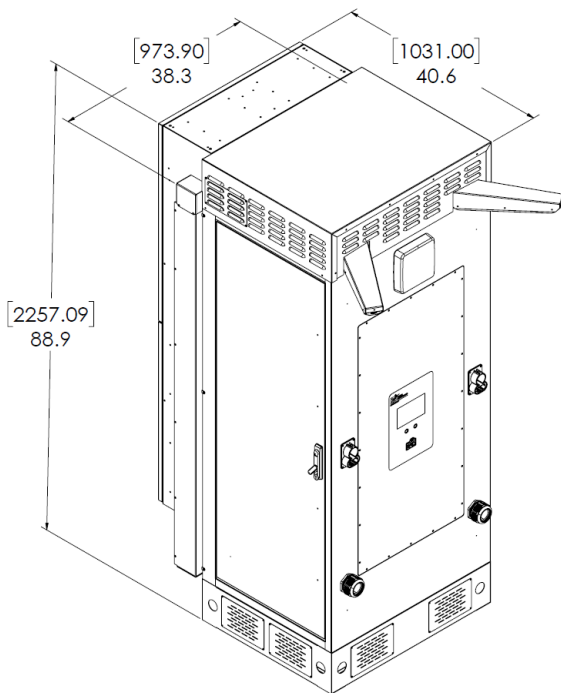
Cabinet model with
cable management

Field Configuration Patent Pending

Specifications

Input Voltage	208 or 240 Vac 3-Phase Delta 480 Vac 3-Phase Wye
Input Current	525 A maximum (208 or 240 Vac 3-Phase Delta) 300 A maximum (480 Vac 3-Phase Wye)
Output Power	120, 150, and 180 kW maximum
Output Voltage	250 to 920 Vdc (400 & 800 Vdc nominal)
Efficiency	95%
Charging Connector	Single or dual CCS1
Charging Cable Length	4.5 m (with no cable management) 5.5 m (with cable management)
Charging/Data Protocols	DIN 70121 and OCPP 1.6J compliant
Network Interface	Cellular 4G LTE, Wi-Fi
RFID	ISO/IEC 14443 A/B, ISO 15393, NFC Reader Mode
Display	7" color LCD
Operational Temperature	-35 °C to +50 °C
Storage Temperature	-40 °C to +80 °C
Relative Humidity	Up to 95% non-condensing
Altitude	2000 m (6560 ft)
Enclosure Rating	NEMA 3R; IP54
Impact Resistance	IK10
Weight	760 to 850 kg
Certifications	UL2202 (Pending)

Product Dimensions (in)



Document No.: DATA110
Last Updated: February 12, 2024
Supersedes: February 12, 2024

Power Innovations International
 1305 South 630 East
 American Fork, UT 84003
 United States
www.PowerInnovations.com

Pii POWER
 INNOVATIONS
 INTERNATIONAL

LITEON GROUP