



# EVPUE4-CH

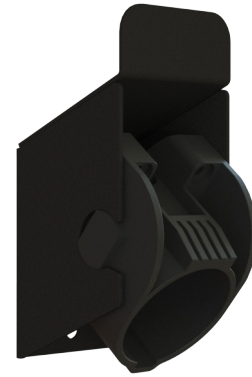
## Cable Holder Kit for 4' EV Charging Pedestal

### Description

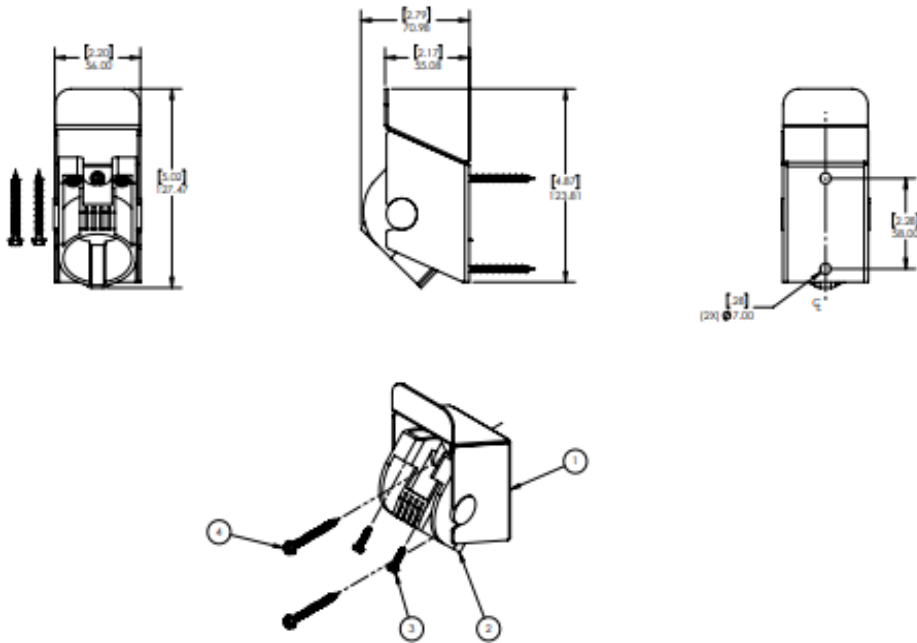
The EVPUE4-CH is a cable holder kit for Power Innovations International's 4' universal EV charging pedestal (EVPUE4). It is a durable cable holding option that is designed to hold a J1772 EV plug and organize EV charging cables.

### Features and Benefits

- Designed for compatibility with J1772 EV plugs
- Rounded wire mount keeps charging cables organized and out of the way
- Streamlined installation process
- Kit comes with holster, cable wrap, and mounting hardware



### Product Dimensions and Layout: [in], mm



Document No.: DATA109  
Last Updated: December 20, 2023  
Supersedes: December 13, 2023

Power Innovations International  
1305 South 630 East  
American Fork, UT 84003  
United States  
[www.PowerInnovations.com](http://www.PowerInnovations.com)



LITEON GROUP