

## EVPUE4-CH

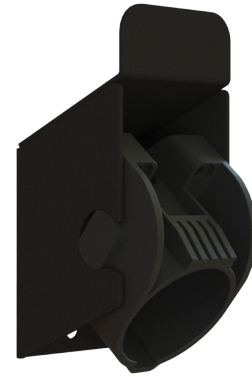
### Cable Holder Kit for 4' EV Charging Pedestal

#### Description

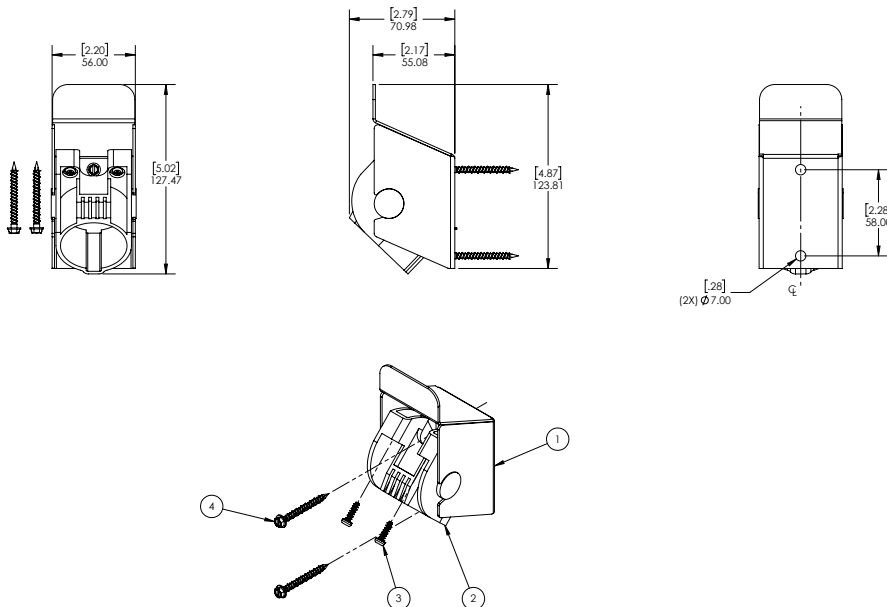
The EVPUE4-CH is a cable holder kit for Power Innovations International's 4' universal EV charging pedestal (EVPUE4). It is a durable cable holding option that is designed to hold a J1772 EV plug and organize EV charging cables.

#### Features and Benefits

- Designed for compatibility with J1772 EV plugs
- Rounded wire mount keeps charging cables organized and out of the way
- Streamlined installation process
- Provides space savings by organizing critical EV charging componentry



#### Product Dimensions and Layout [in], mm



NOTES:

1. HOLSTER AND CORD HANGER FOR ONE J1772 EV CHARGER HANDLE.
2. COLOR: BLACK
3. MATERIAL : GALVANIZED STEEL AND PLASTIC.