

EVQC030

30 kW Stationary DC EV Quick Charger

Description

The EVQC030 is an all-in-one DC quick charger that enables up to 30kW continuous charging output. This product also offers highly flexible and field configurable Vac input power, which allows accepting the most common distribution voltages, thus reducing overall infrastructure and construction costs.

All of Power Innovations International's EV chargers have industry-standard connectivity for fast charging, remote services, and software updates.

Features and Benefits

- Highly flexible power input with no de-rating
- Field-replaceable power modules
- Greater than 1 million hours MTBF on PSU topology
- IP54/NEMA 3S enclosure
- Multiple payment/authorization methods
 - RFID and credit card
- Remote upgrades via over-the-air updates

Applications

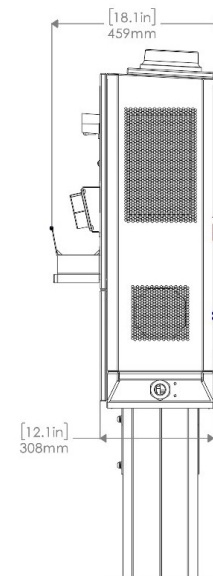
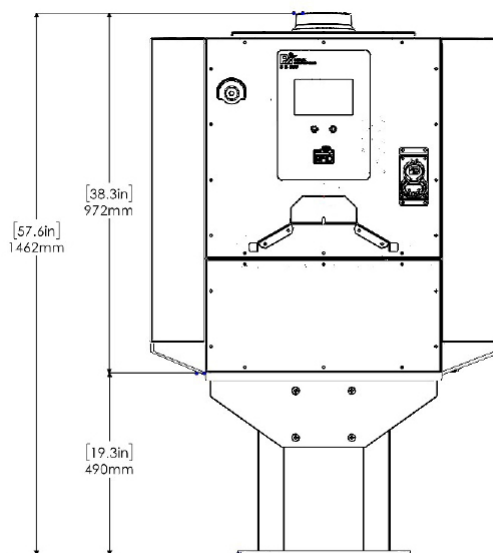
- Residential & multi-unit dwellings
- EV infrastructure and service providers
- Retail & hospitality
- OEM test facilities
- Public & commercial buildings
- Municipalities
- Small, mid, and large fleets & depots



Specifications

Input Voltage	240 Vac Single Phase 208 or 240 Vac 3-Phase Delta 480 Vac 3-Phase Wye
Input Current	150 A maximum (240 Vac Single Phase) 86 A maximum (208 or 240 Vac 3-Phase Delta) 50 A maximum (480 Vac 3-Phase Wye)
Output Power	30 kW maximum
Output Voltage	250 to 900 Vdc (400 & 800 Vdc nominal)
Efficiency	95%
Charging Connector	CCS1
Charging Cable Length	5 m standard
Charging/Data Protocols	DIN 70121 and OCPP 1.6J compliant
Network Interface	Cellular 4G LTE, Wi-Fi
RFID	ISO/IEC 14443 A/B, ISO 15393, NFC Reader Mode
Display	7" color LCD
Operational Temperature	-30 °C to +50 °C
Storage Temperature	-40 °C to +80 °C
Relative Humidity	Up to 95% non-condensing
Altitude	2000 m (9845 ft)
Enclosure Rating	NEMA 3S; IP54
Impact Resistance	IK10
Weight	140 kg (Charger only)
Mounting	Wall-mounted or pedestal (both sold separately)
Certifications	UL2202 (Pending)

Product Dimensions [in], mm



Document No.: DATA101
Last Updated: April 1, 2024
Supersedes: February 28, 2024

Power Innovations International
 1305 South 630 East
 American Fork, UT 84003
 United States
www.PowerInnovations.com

Pii POWER
 INNOVATIONS
 INTERNATIONAL

LITEON GROUP