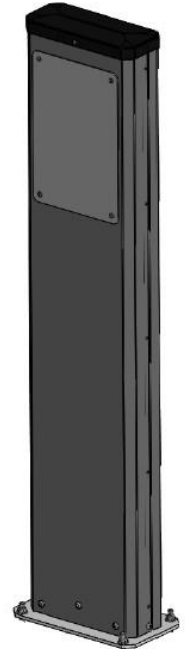


Model EVPUE4D

Universal Pedestal Installation Quick-start Guide

Overview

Universal Pedestal Model EVPUE4D is a 4-foot powder-coated steel Pedestal that supports up to 2 Level 2 EV chargers and charger accessories. This document provides information on what is included with the shipping pedestal, and how to install and configure the pedestal for 1 or 2 Level 2 EV chargers. It also acts as a supplement to the installation instructions found in the charger's installation or user manual.



Parts Included with Pedestal EVPUE4D

| Part Number | Qty. | Description |
|-------------|------|---|
| HA01681 | 4 | Concrete Anchor, Wedge, 3/8 x 5 in., Mechanically Galvanized Carbon Steel |
| QS171 | 1 | EVPUE4D Universal Pedestal Installation Quick-start Guide (this document) |

Safety Instructions



ELECTRICAL WARNING! RISK OF ELECTRICAL SHOCK!
Follow NEC, Local Electrical, and Safety Guidelines when installing the pedestal for use with one or more EV chargers.

Install Pedestal

1. Turn OFF main power at installation site before beginning installation.
2. Make sure grid or facility power wires are nearby and then route them up through the open bottom of the pedestal (Figure B) with enough length to reach the charger terminals once the charger is installed.
3. Erect and level the pedestal; then anchor its baseplate to the ground using the 4 wedge anchors provided (Figures B and C).

Figure A: EVPUE4D 4-foot Universal Pedestal

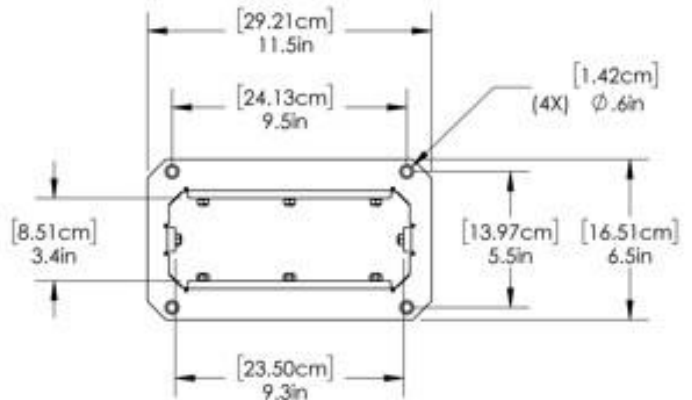


Figure B: Pedestal Baseplate mounting hole pattern



Figure C: Pedestal with Wedge Anchors before and after installation

4. Remove mounting plate(s) from pedestal by removing mounting plate's 4 flat head Phillips screws securing each plate in place (Figure D).
5. Drill custom holes needed in each mounting plate for the charger mounting holes required for your installation (see Figure E).

Figure D:
Remove mounting plate before drilling custom holes for charger

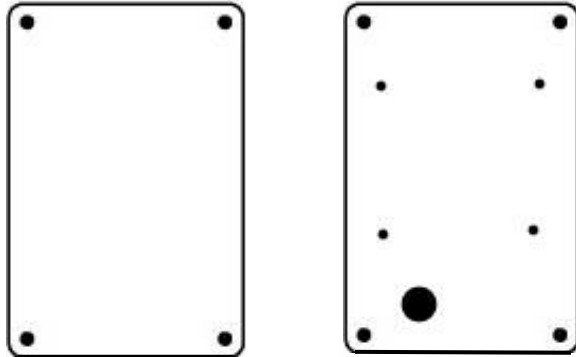
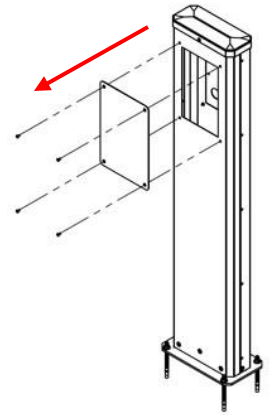
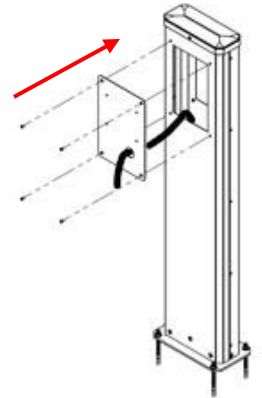


Figure E: Example of mounting plate before and after drilling custom holes for a charger

Figure F:
Ground pedestal and route power cables out charger before re-installing mounting plate



6. Before re-installing mounting plate:
 - a. Ground pedestal as required by local regulations.
 - b. Route power wires out of the pedestal and mounting plate (Figure F).
 - c. Using 4 original screws, secure mounting plate with custom drill holes to pedestal.

7. Install one or both EV chargers (ordered separately) on the pedestal as instructed in the charger's Installation Manual or User Manual that shipped with your charger(s). For example (see Figure G):
 - You may need to remove charger's front cover and separate charger from its own mounting bracket.
 - You may need to mount charger's mounting bracket directly onto pedestal's mounting plate.

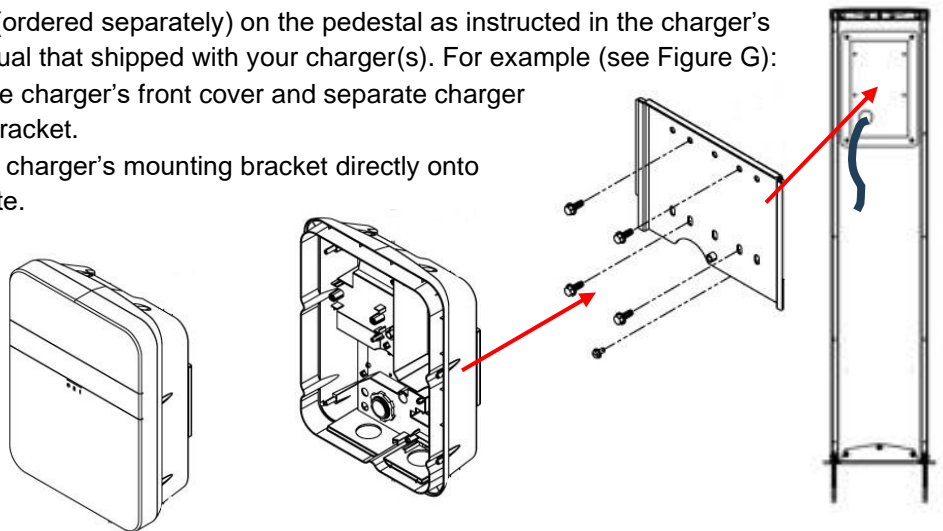


Figure G: Example of mounting order for charger that comes with front cover and mounting bracket

8. Turn ON main power at installation site and configure the EV charger(s) as instructed in the charger's installation manual or user manual.