

EVPHD4

Single & Dual Heavy-Duty 4-foot EV Charger Pedestal

Description

The EVPHD4S and EVPHD4D EV pedestals offer a heavy-duty and robust construction for both single and dual charger mounting options. They are ideal for parking lots and garages. In larger installations, dual mount pedestals can help reduce the overall cost of installation. EV charger(s) sold separately.

Features and benefits

- Galvanized steel construction for long lifetime
- Single and dual charger configurations
- NEMA 3R environmental rating
- Optional cable holders for cable organization
 - Cable Holders sold separately
- Chargers hard-wired through pedestal

Applications

- Residential & Multi-unit dwellings
- EV infrastructure and service providers
- Retail & Hospitality
- Public & Commercial buildings
- Municipalities
- Small, Mid and Large Fleets & Depots



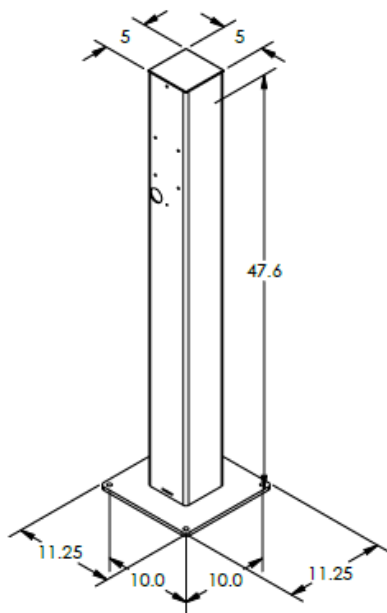
Specifications

Models* and Descriptions	EVPHD4S: 4-foot pedestal for Single Charger EVPHD4D: 4-foot pedestal for Dual Chargers
Cable Holder Accessory (sold separately)	EVPHD4-CH Order (1) with EVPHD4S; Order (2) with EVPHD4D
Inner Dimensions	4.5" x 4.5" for wire pass through
Weight	48 lbs
Environmental Rating	NEMA 3R

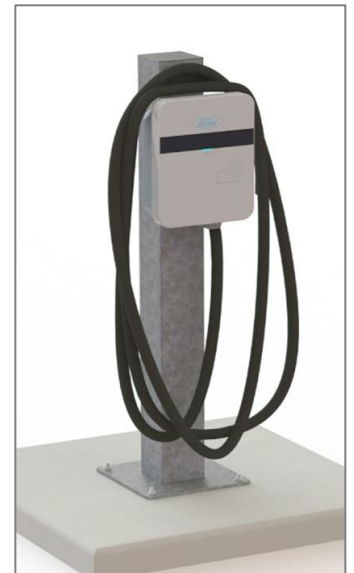
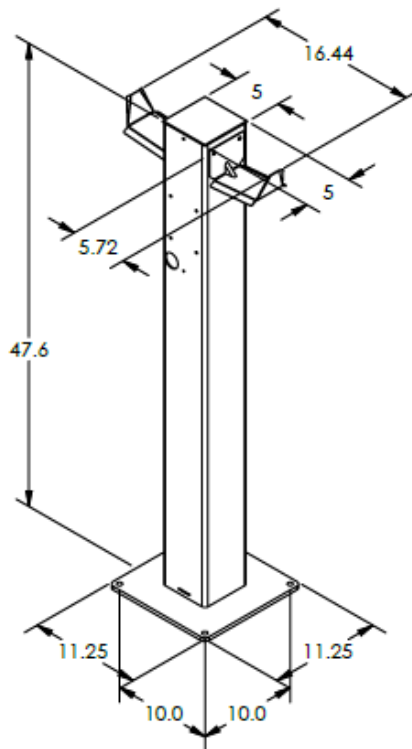
* Contact Power Innovations for pre-drilled hole options

Product Dimensions (in)

EVPHD4S/D



EVPHD4D with (2) EVPHD4-CH cable holders



Charger not included