

EVHDRET

Ceiling & Wall-Mounted EV Charger Cable Retractors

Description

The EVHDRET family of retractors provide a spring-loaded and locking tether that helps suspend electric vehicle charging cables in place during charging (and also while not in use). These retractors can either be ceiling-mounted or wall-mounted for high application flexibility.

An additional sleeve is included to install with the cable clamp that ensures suitability for a wide range of charging cable diameters (from 32 to 80A-rated cables).

Features and Benefits

- Galvanized steel construction for long lifetime
- Locking retractor design maintains cable position
 - 2.5 to 4" locking increments
- Tested to more than 5000 cycles
- Suitable for indoor or outdoor installation
- 8 foot long polyester cable
- Multiple retraction forces available for different cable diameters and weights

Applications

- Residential and multi-unit dwellings
- EV infrastructure and service providers
- Retail and hospitality
- Public and commercial buildings
- Municipalities
- Small, mid, and large fleets & depots



Ceiling Mount

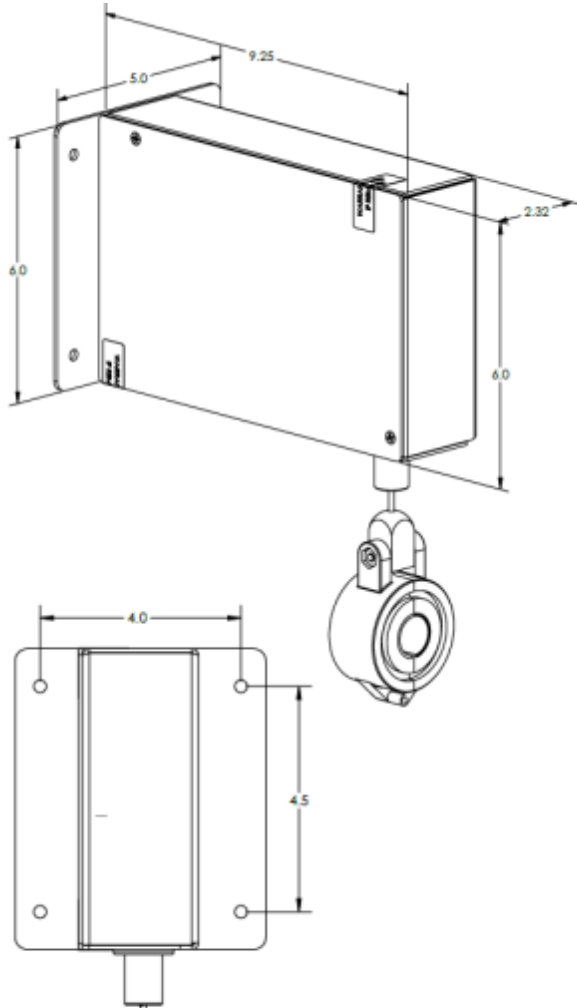


Wall Mount

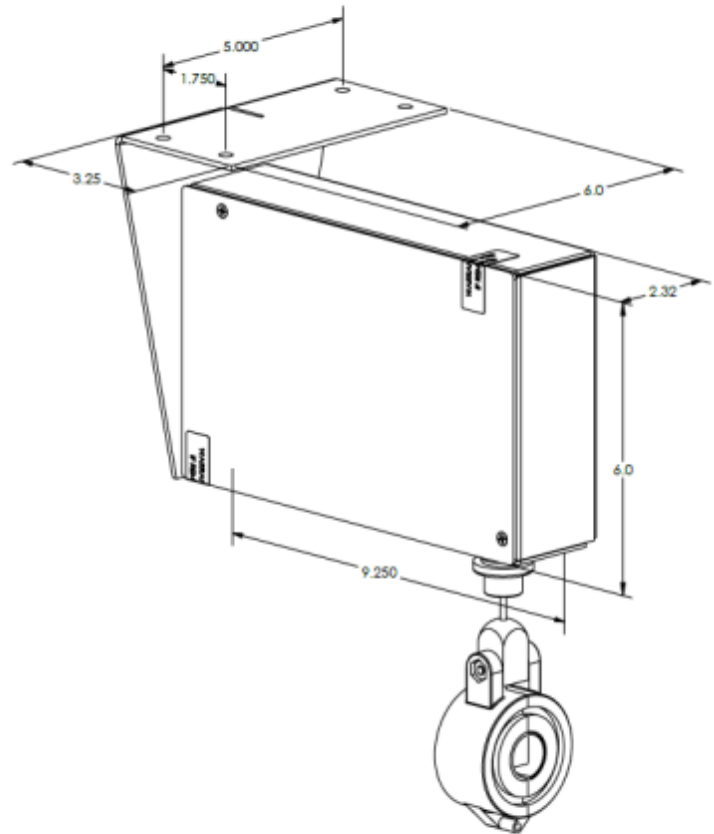
Specifications

Models and Descriptions: Wall Mount	EVHDRET-W1: Locking type with 7-9 lbs retraction force EVHDRET-W2: Locking type with 10-12 lbs retraction force EVHDRET-W3: Locking type with 13-15 lbs retraction force
Models and Descriptions: Ceiling Mount	EVHDRET-C1: Locking type with 7-9 lbs retraction force EVHDRET-C2: Locking type with 10-12 lbs retraction force EVHDRET-C3: Locking type with 13-15 lbs retraction force
Weight	11 lbs
Maximum Cable Diameter	0.95" (24 mm)

Product Dimensions (in)



EVHDRET-W
(Wall Mount)



EVHDRET-C
(Ceiling Mount)

Document No.: DATA107
Last Updated: December 13, 2023
Supersedes: April 30, 2023

Power Innovations International
1305 South 630 East
American Fork, UT 84003
United States
www.PowerInnovations.com

Pii POWER
INNOVATIONS
INTERNATIONAL

LITEON GROUP