

# EVPHD4

## Single & Dual Heavy-Duty 4-foot EV Charger Pedestal

### Description

The EVPHD4S and EVPHD4D EV pedestals offer a heavy-duty and robust construction for both single and dual charger mounting options. They are ideal for parking lots and garages. In larger installations, dual mount pedestals can help reduce the overall cost of installation. EV charger(s) sold separately.

### Features and Benefits

- Galvanized steel construction for long lifetime
- Single and dual charger configurations
- NEMA 3R environmental rating
- Optional cable holders for cable organization
  - Cable Holders sold separately
- Chargers hard-wired through pedestal

### Applications

- Residential and multi-unit dwellings
- EV infrastructure and service providers
- Retail and hospitality
- Public and commercial buildings
- Municipalities
- Small, mid, and large fleets & depots



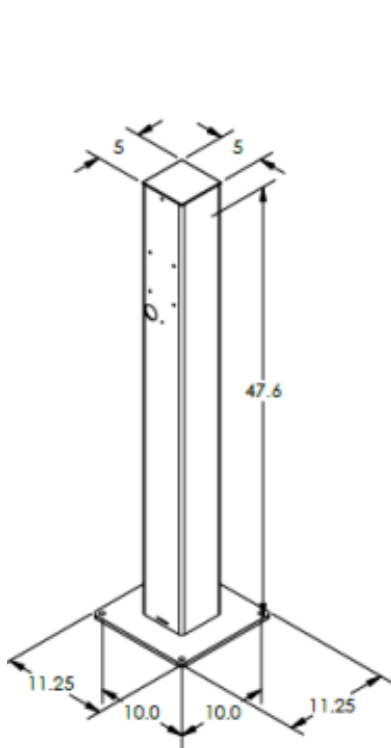
## Specifications

Models* and Descriptions	<b>EVPHD4S:</b> 4-foot pedestal for single chargers <b>EVPHD4D:</b> 4-foot pedestal for dual chargers
Cable Holder Accessory (sold separately)	<b>EVPUE4-CH</b> Order (1) with EVPHD4S Order (2) with EVPHD4D
Inner Dimensions	4.5" x 4.5" for wire pass-through
Weight	48 lbs
Environmental rating	NEMA 3R

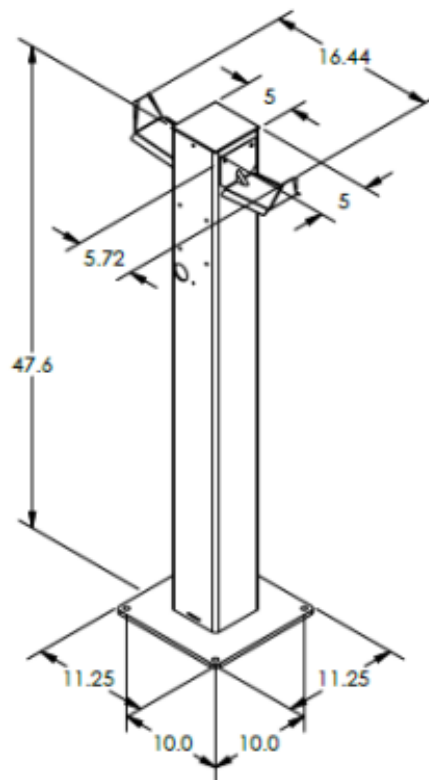
\*Contact Power Innovations International for pre-drilled hole options

## Product Dimensions (in)

EVPHD4S/D



EVPHD4D with (2) EVPHD4-CH cable holders



Charger not included

**Document No.:** DATA105  
**Last Updated:** December 12, 2023  
**Supersedes:** April 5, 2023

**Power Innovations International**  
1305 South 630 East  
American Fork, UT 84003  
United States  
[www.PowerInnovations.com](http://www.PowerInnovations.com)

**Pii** POWER  
INNOVATIONS  
INTERNATIONAL

LITEON GROUP