

EVPUE4

Single & Dual 4-foot EV Charger Pedestal

Description

The EVPUE4S and EVPUE4D EV pedestals offer a robust, yet cost-effective construction for both single and dual charger mounting options. They are ideal for parking lots and garages. In larger installations, dual mount pedestals can help reduce the overall cost of installation. EV charger(s) sold separately.

Features and Benefits

- Powder-coated steel construction for durability
- Single and dual charger configurations
- NEMA 3R environmental rating
- Optional cable holders for cable organization
 - Cable holders sold separately
- Chargers hard-wired through pedestal

Applications

- Residential and multi-unit dwellings
- EV infrastructure and service providers
- Retail and hospitality
- Public and commercial buildings
- Municipalities
- Small, mid, and large fleets & depots



Specifications

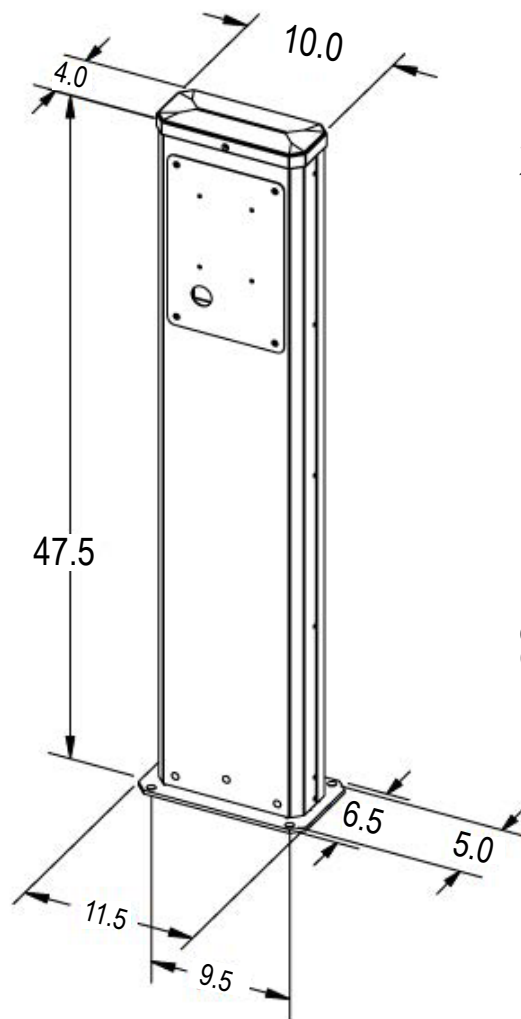
Models* and Descriptions	EVPUE4S: 4-foot pedestal for single chargers EVPUE4D: 4-foot pedestal for dual chargers
Cable Holder Accessory (sold separately)	EVPUE4-CH Order (1) for single charger installation Order (2) for dual charger installation
Inner Dimensions	4.0" x 9.0" for wire pass-through
Weight	27 lbs
Environmental rating	NEMA 3R

*Contact Power Innovations International for pre-drilled hole options

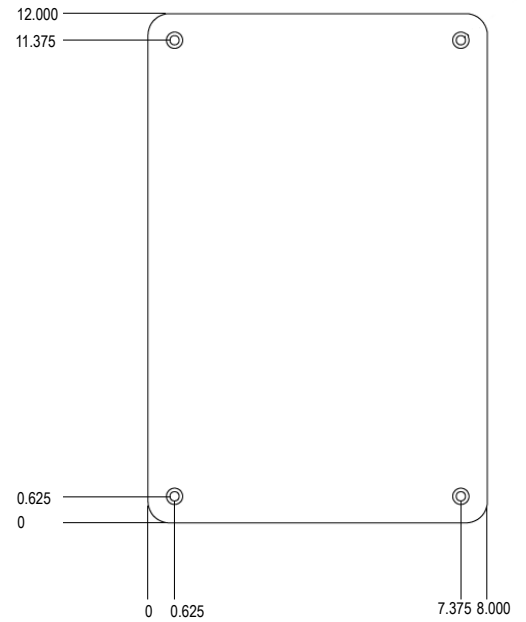
EVPUE4 with Mounted Charger



Product Dimensions (in)



Universal Mounting Plate Dimensions (in)



Document No.: DATA104
Last Updated: February 23, 2024
Supersedes: December 12, 2023

Power Innovations International
1305 South 630 East
American Fork, UT 84003
United States
www.PowerInnovations.com

Pii **POWER**
INNOVATIONS
INTERNATIONAL

LITEON GROUP