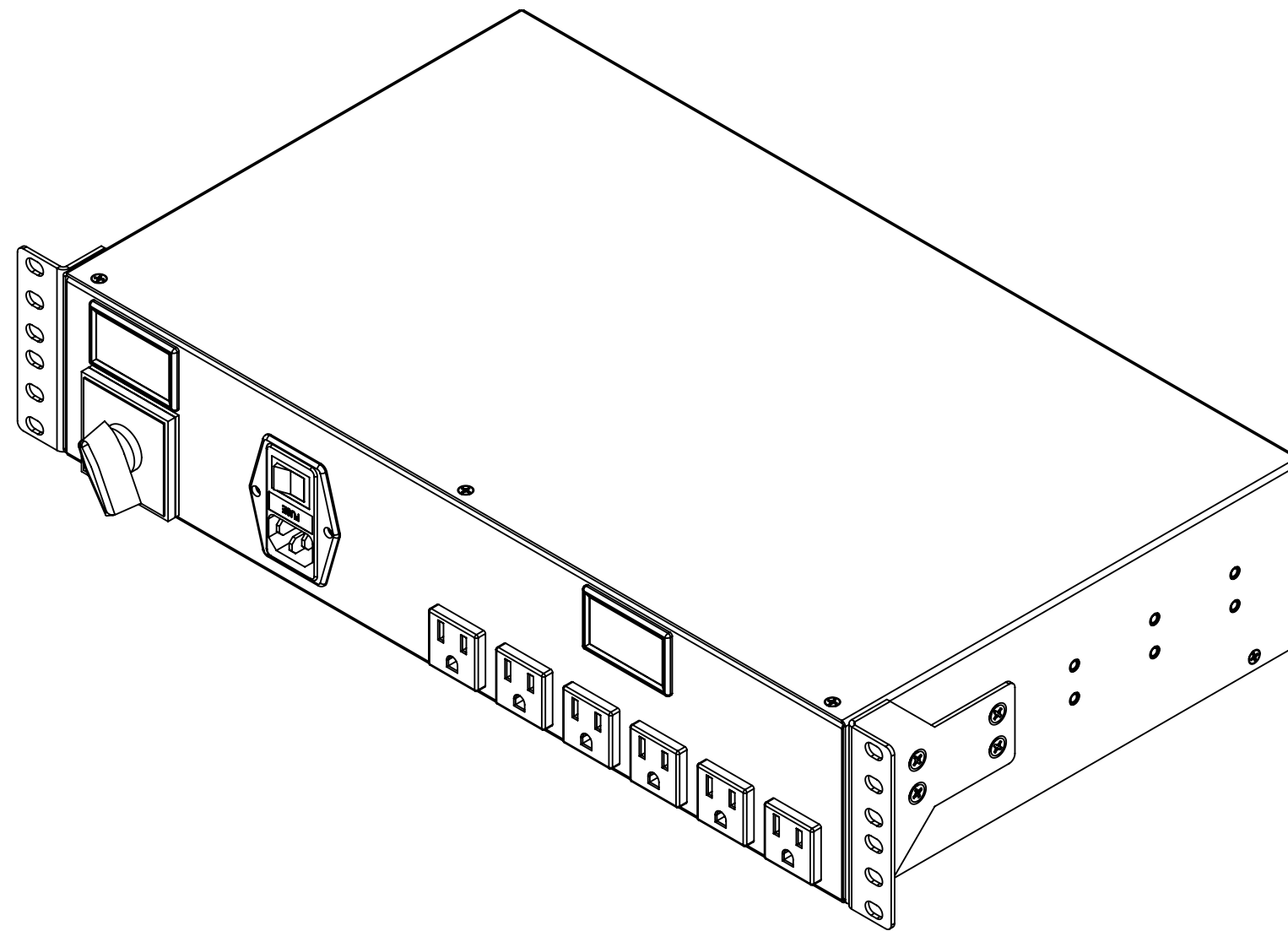


DRAWING LIST	
SHEET	DESCRIPTION
1	Q-SPDU-6-1P-5, 2U RACK PDU GENERAL VIEWS W/ DIMENSIONS
2	Q-SPDU-6-1P-5 BILL OF MATERIALS
3	Q-SPDU-6-1P-5 GENERAL DIMENSIONS & INFORMATION

REVISIONS				
REV.	DESCRIPTION	DATE	APPROVED	ECO

Q-SPDU-6-1P-5, 2U RACK PDU GENERAL VIEWS W/ DIMENSIONS



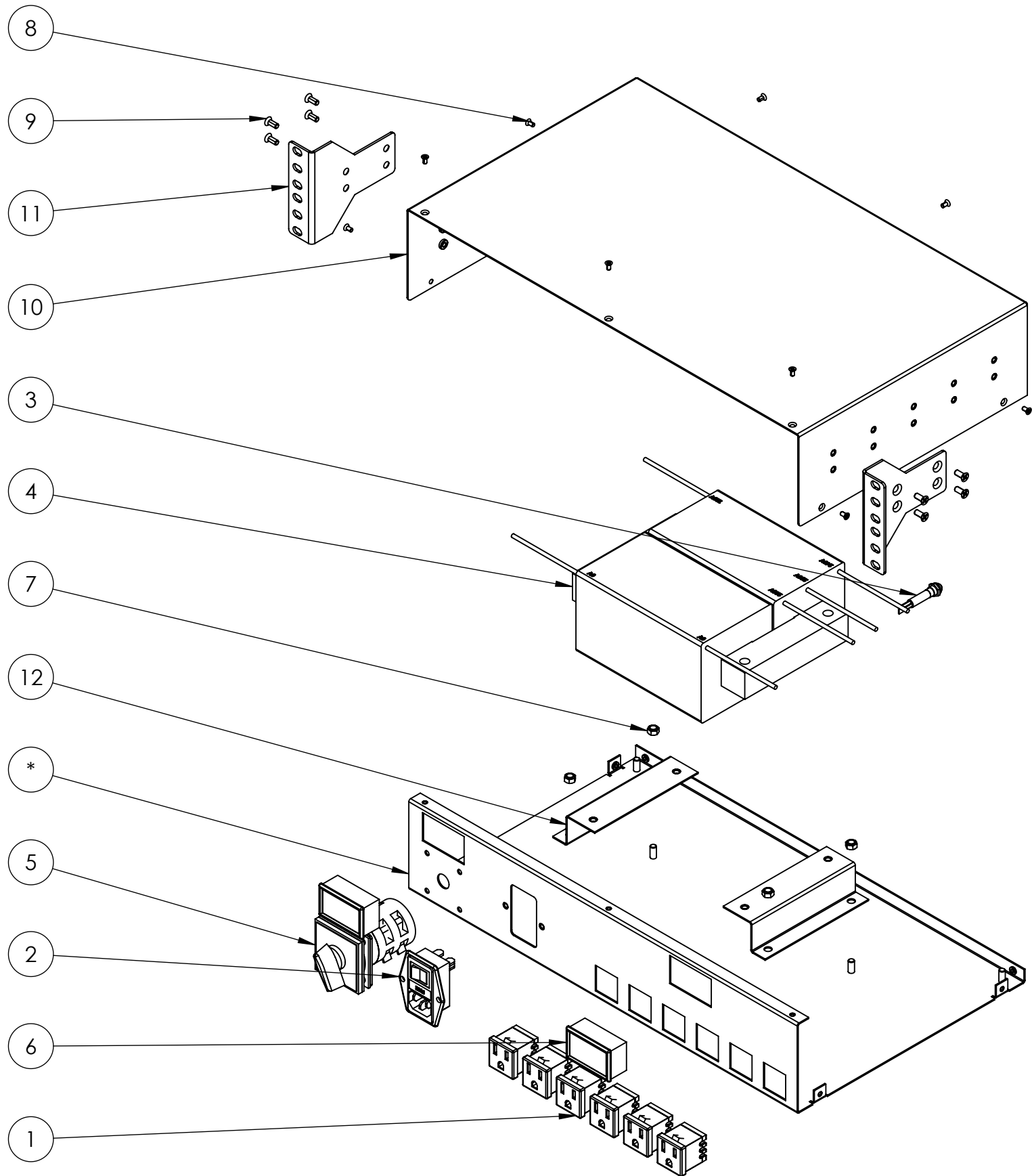
DOCUMENT REFERENCE LIST	
SA01402	METAL ASSEMBLY, 2U, Q-SPDU-6-1P-5
SA01403	ELECTRICAL ASSEMBLY, 2U, Q-SPDU-6-1P-5

ECO:	
INITIAL RELEASE	
CHECKED BY IA	DATE 11/11/21
CHANGED BY	DATE
DRAWN BY NT	DATE 11/11/21


UNITS
DIMENSIONS ARE IN
INCHES

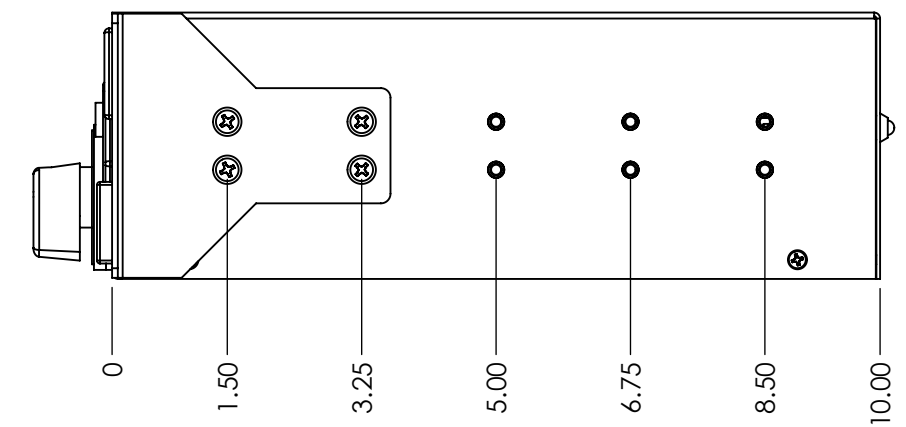
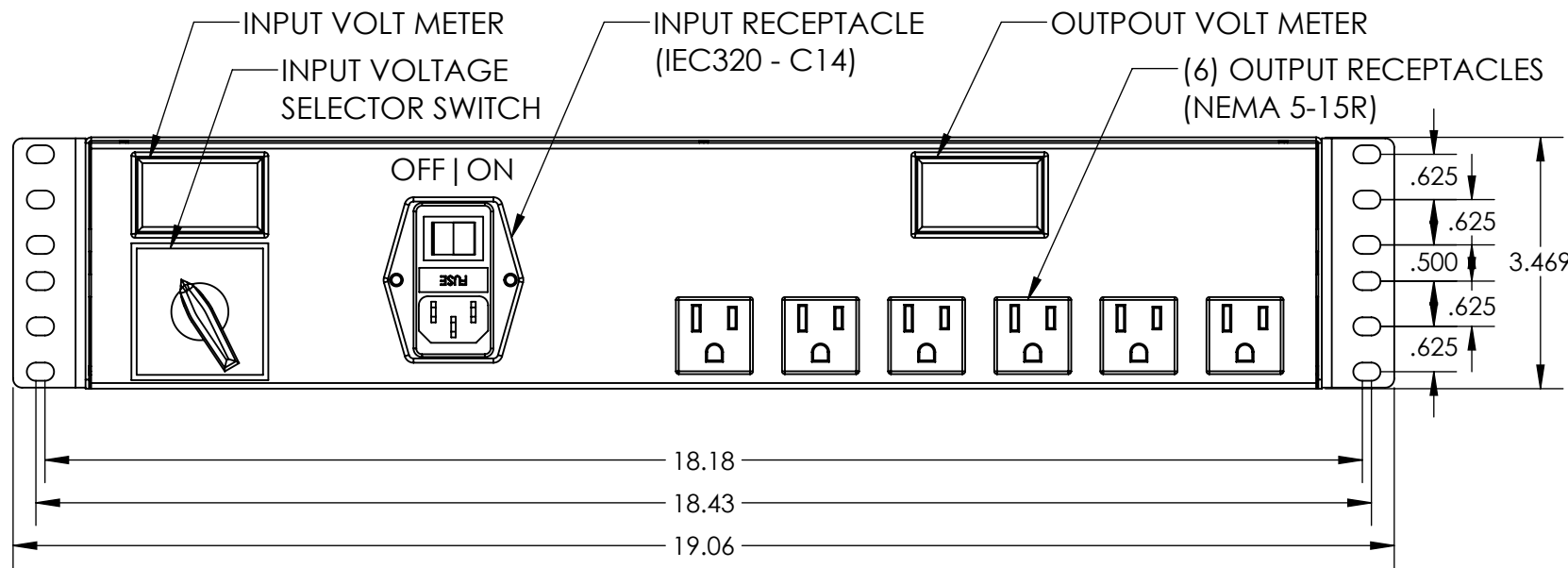
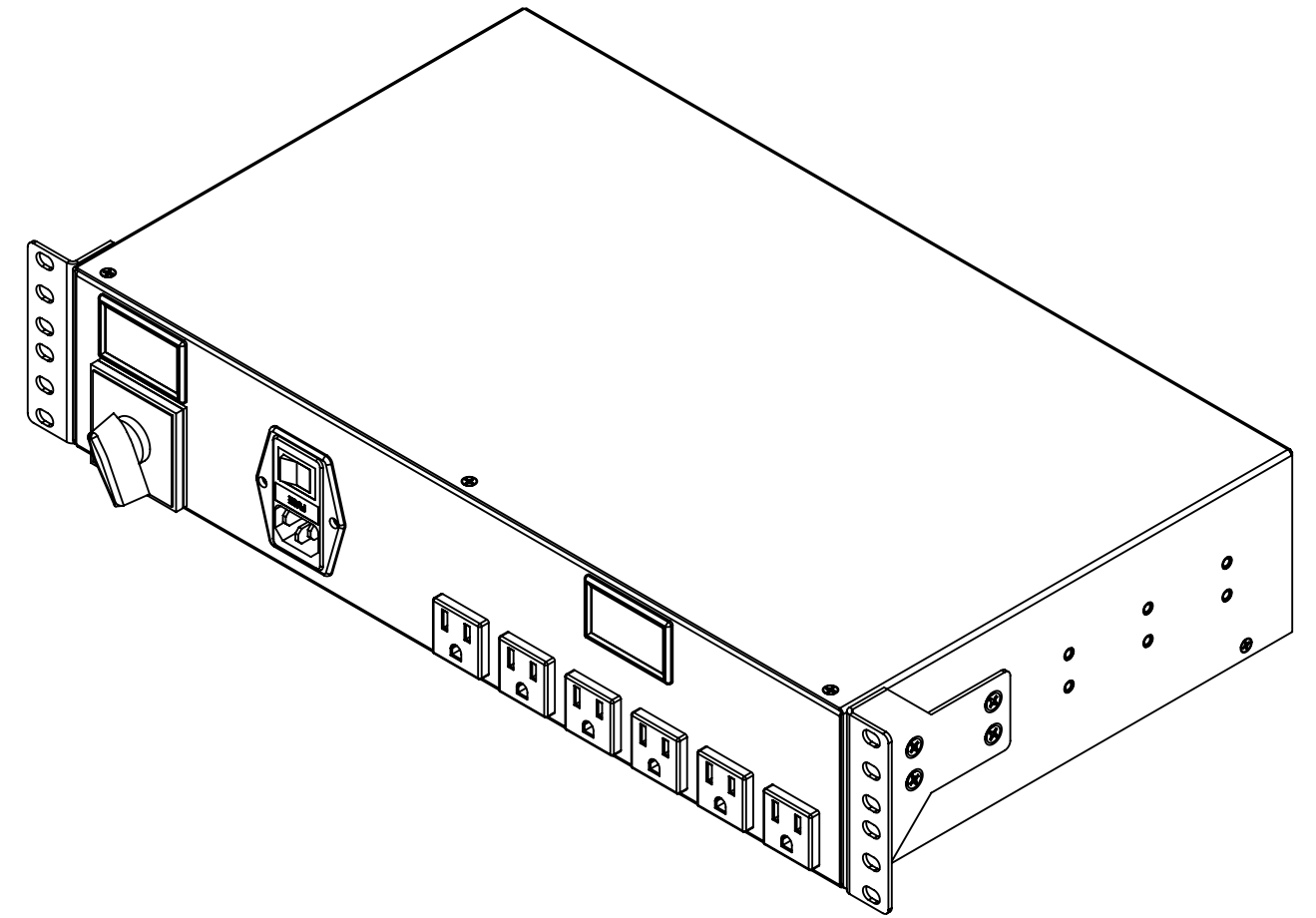
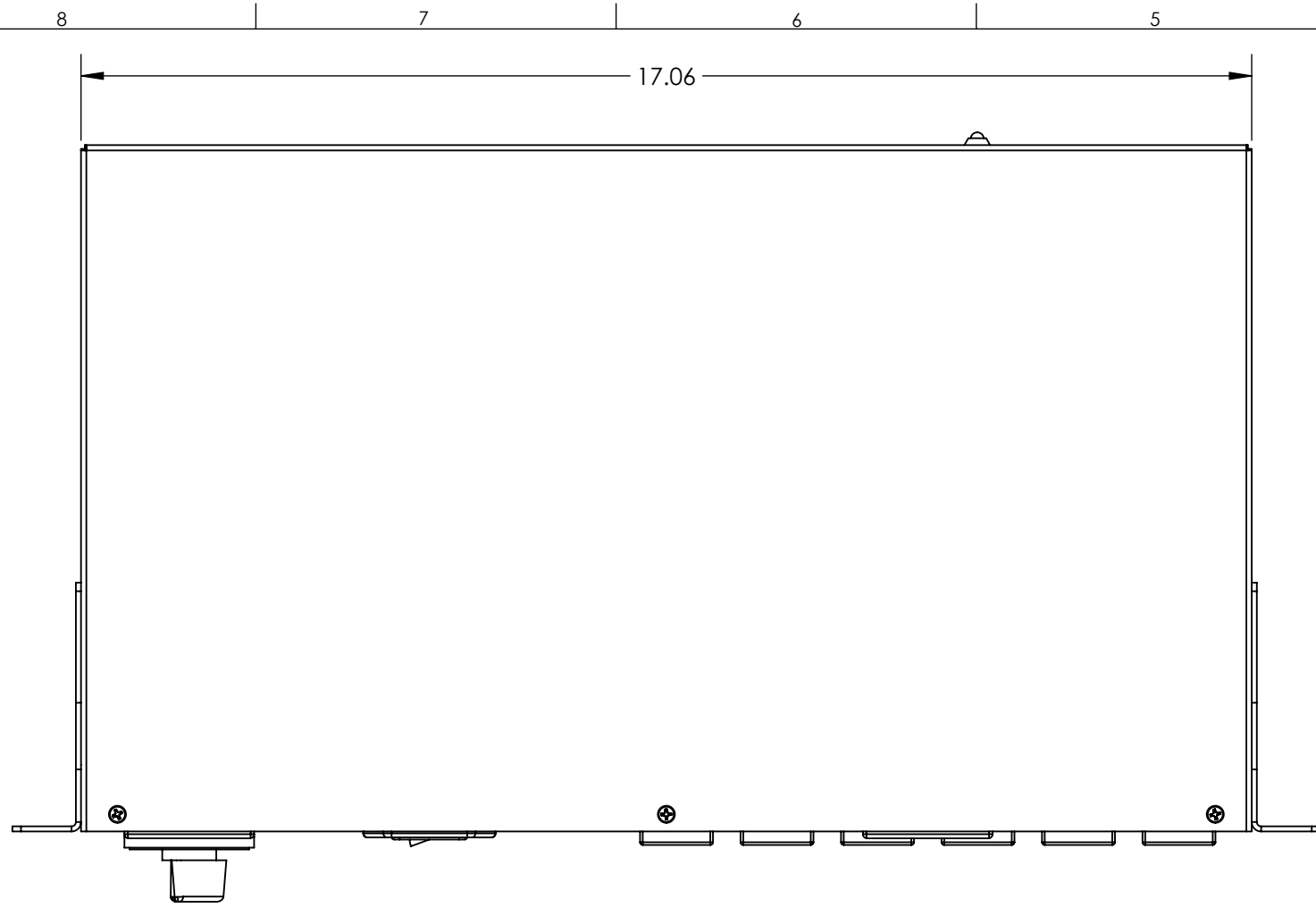
DESCRIPTION			
Q-SPDU-6-1P-5, 2U RACK PDU GENERAL VIEWS W/ DIMENSIONS			
MATERIAL			WEIGHT (lbs)
THE INFORMATION CONTAINED IN THIS DRAWING IS THE SOLE PROPERTY OF POWER INNOVATIONS. ANY REPRODUCTION IN PART OR AS A WHOLE WITHOUT THE WRITTEN PERMISSION OF POWER INNOVATIONS IS PROHIBITED.			
SIZE	CAGE	DWG NO	REV
B	3Z7N9	DW01216	A
STATUS			SHEET 1 OF 3






SA01402 & SA01403 BILL OF MATERIALS COMBINED			
NO.	NUMBER	DESCRIPTION	QTY.
1	CO01082	RECEPTACLE, FEMALE, SNAP IN, GROUND TOP, QUICK CONNECT, IDC, NEMA 5-15R	6
2	CO01084	RECEPTACLE, IEC320, C14, W/SWITCH & FUSE, SCREW MOUNT, 5A, 250VAC	1
3	EC00172	LED, GREEN, 130 VAC, 5MM CROME,CML 1951331	1
4	EC01370	TRANSFORMER, 60VA, IP: 240V/230V/208V, OP: 120V, 60hZ	1
5	EC01373	SWITCH, ROTARY CAM, 15A, 2 POLE, 4 POSITION, (OFF-208V-230V-240V), 60 DEGREE THROW	1
6	EC01374	METER, AC VOLTMETER, 70V-500VAC, DIGITAL PANEL, BLUE LED DISPLAY	2
7	HAM0020	NUT, M5-0.8, LOCKING, ZINC	4
8	HAM0660	SCREW, M3 x 6, FLAT, SS, PHILLIPS DRIVE	10
9	HAM0662	SCREW, M4 X 10 FLAT HEAD, PHILLIPS, 316SS	8
10	MT02255	COVER, METAL, 2U Q- SPDU-6	1
11	MT02256	BRACKET, SIDE, LEFT/RIGHT, 2U, Q- SPDU-6	2
12	MT02257	BRACKET, Z, TRANSFORMER, LEFT/RIGHT, 2U, RACK, Q- SPDU-6	2

DESCRIPTION				Q-SPDU-6-1P-5 BILL OF MATERIALS			
MATERIAL						WEIGHT	
THE INFORMATION CONTAINED IN THIS DRAWING IS THE SOLE PROPERTY OF POWER INNOVATIONS. ANY REPRODUCTION IN PART OR AS A WHOLE WITHOUT THE WRITTEN PERMISSION OF POWER INNOVATIONS IS PROHIBITED. ©2011 POWER INNOVATIONS				PROPRIETARY AND CONFIDENTIAL			
				SIZE	CAGE	DWG NO	REV
				B	3Z7N9	DW01216	A
STATUS						SHEET 2 OF 3	



DESCRIPTION			
Q-SPDU-6-1P-5 GENERAL DIMENSIONS & INFORMATION			
MATERIAL			WEIGHT
THE INFORMATION CONTAINED IN THIS DRAWING IS THE SOLE PROPERTY OF POWER INNOVATIONS. ANY REPRODUCTION IN PART OR AS A WHOLE WITHOUT THE WRITTEN PERMISSION OF POWER INNOVATIONS IS PROHIBITED. ©2011 POWER INNOVATIONS			
PROPRIETARY AND CONFIDENTIAL 	SIZE B	CAGE 3Z7N9	DWG NO DW01216
STATUS	REV A	SHEET 3 OF 3	