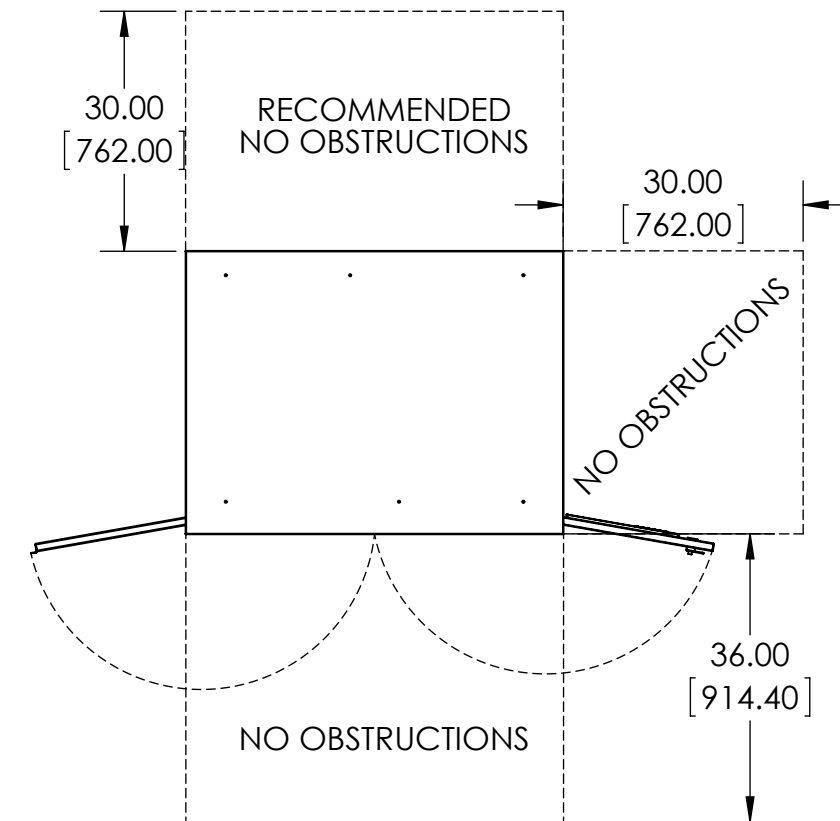
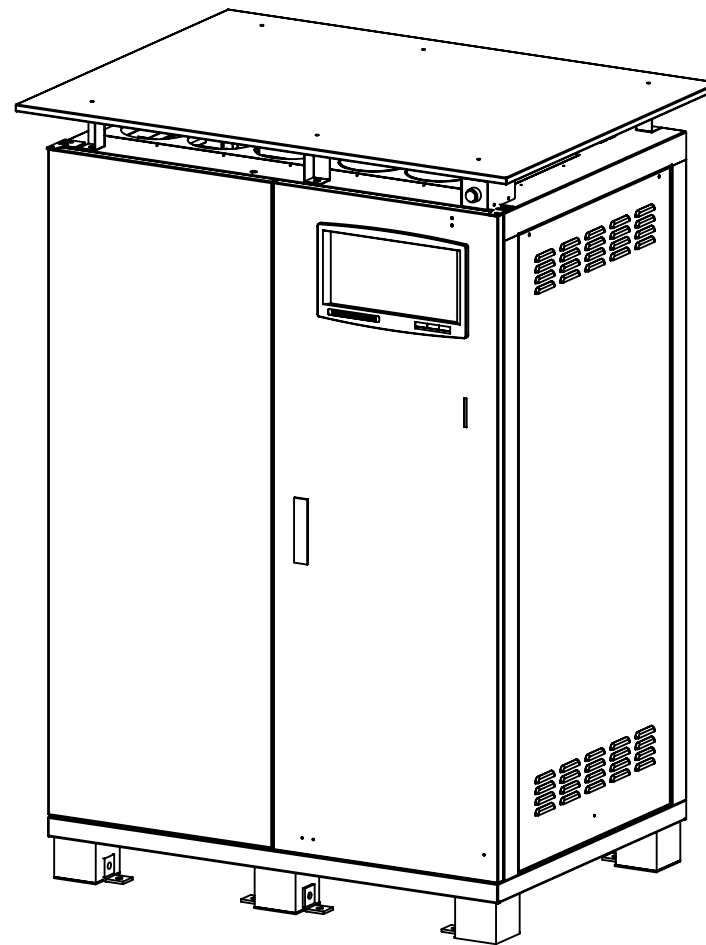
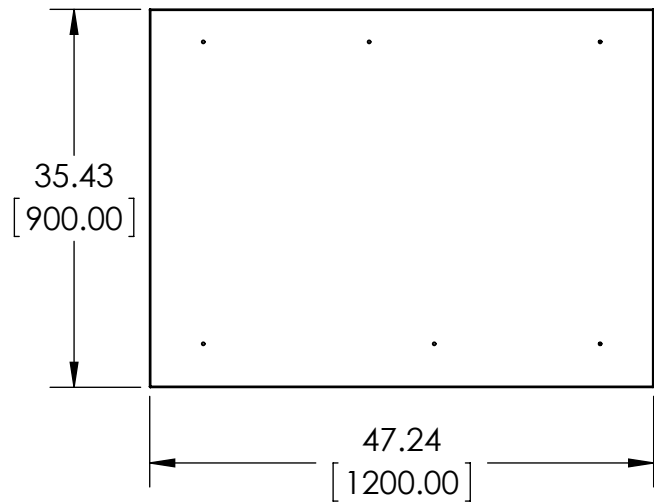
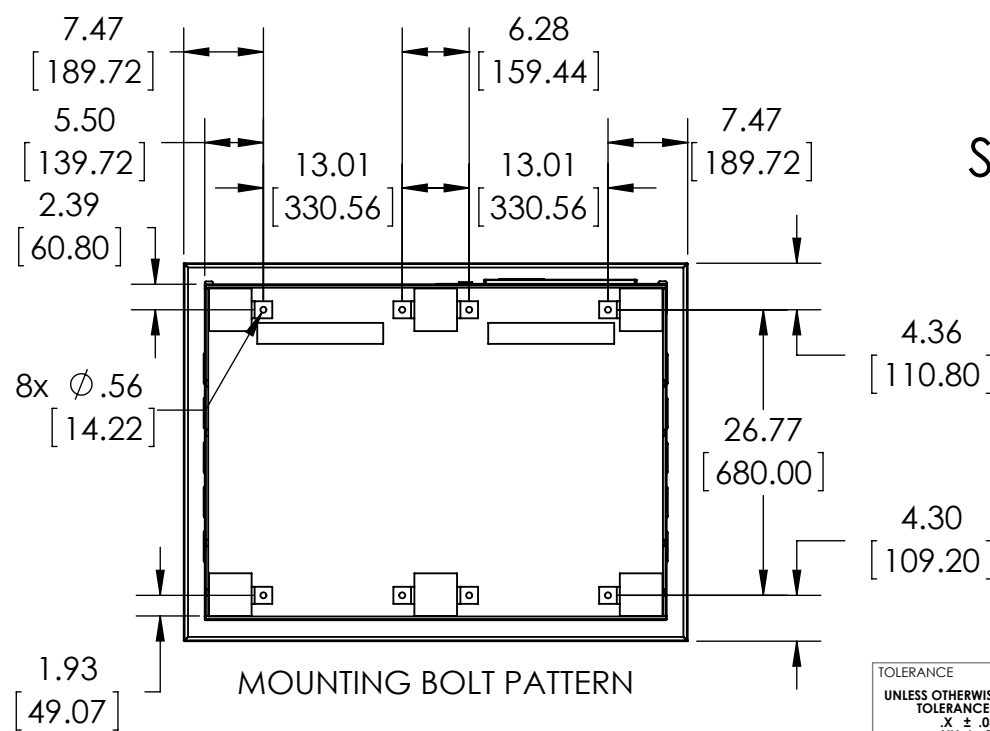
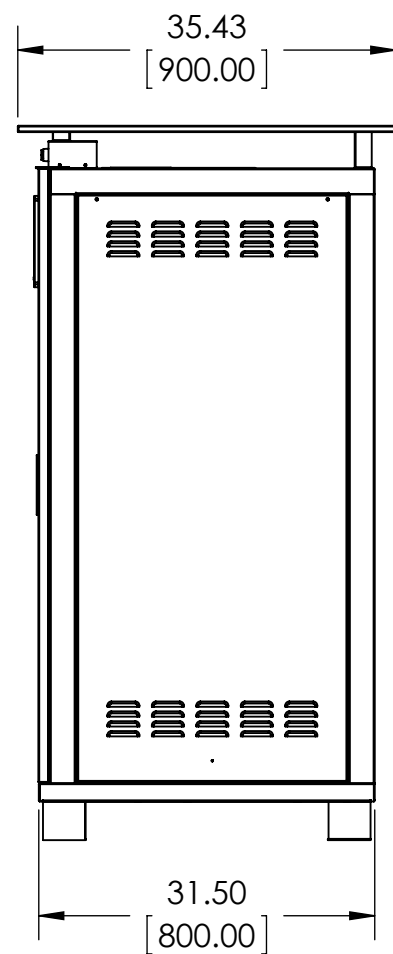
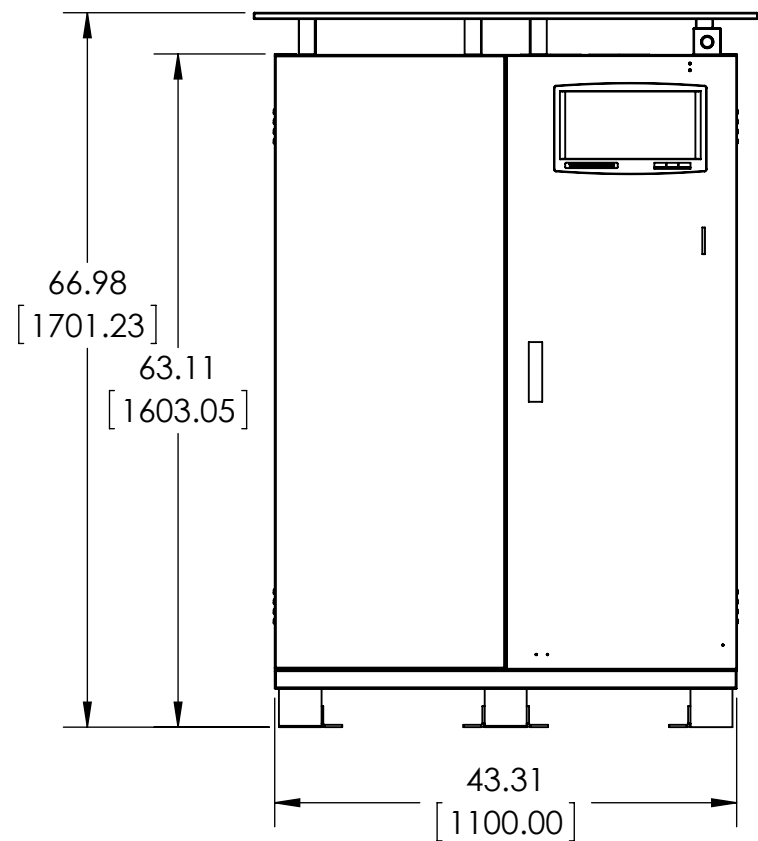


8 7 6 5 4 3 2 1



SERVICE CLEARANCES



MOUNTING BOLT PATTERN

<p>TOLERANCE UNLESS OTHERWISE SPECIFIED TOLERANCES ARE X ± .030 .XX ± .010 .XXX ± .005 ANGLES ± 1° PER ASME Y14.5M-2009</p>	<p>DESCRIPTION Q-LS 60-160KVA DOUBLE WIDE GENERAL LAYOUT</p>			<p>WEIGHT 1875-9844lbs.</p>
	<p>MATERIAL</p>		<p>PROPRIETARY AND CONFIDENTIAL Power Innovations International, Inc.</p>	
<p>UNITS DIMENSIONS ARE IN INCHES</p>		<p>THE INFORMATION CONTAINED IN THIS DRAWING IS THE SOLE PROPERTY OF POWER INNOVATIONS. ANY REPRODUCTION IN PART OR AS A WHOLE WITHOUT THE WRITTEN PERMISSION OF POWER INNOVATIONS IS PROHIBITED. ©2011 POWER INNOVATIONS</p>		<p>STATUS RELEASED</p>
		<p>SIZE B</p>	<p>CAGE 3Z7N9</p>	<p>DWG NO DW00718</p>
			<p>REV A</p>	<p>SHEET 1 OF 1</p>

8 7 6 5 4 3 2 1