

EVPUE4

Single & Dual 4-foot EV Charger Pedestal

Description

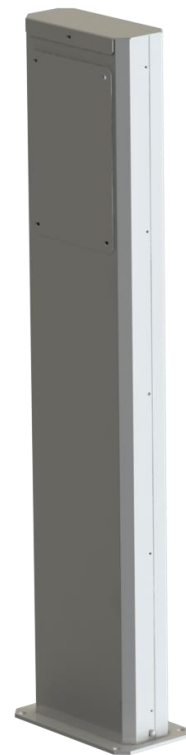
The EVPUE4S and EVPUE4D EV pedestals offer a robust, yet cost-effective construction for both single and dual charger mounting options. They are ideal for parking lots and garages. In larger installations, dual mount pedestals can help reduce the overall cost of installation. EV charger(s) sold separately.

Features and benefits

- Powder-coated steel construction for durability
- Single and dual charger configurations
- NEMA 3R environmental rating
- Optional cable holders for cable organization
 - Cable Holders sold separately
- Chargers hard-wired through pedestal

Applications

- Residential & Multi-unit dwellings
- EV infrastructure and service providers
- Retail & Hospitality
- Public & Commercial buildings
- Municipalities
- Small, Mid and Large Fleets & Depots

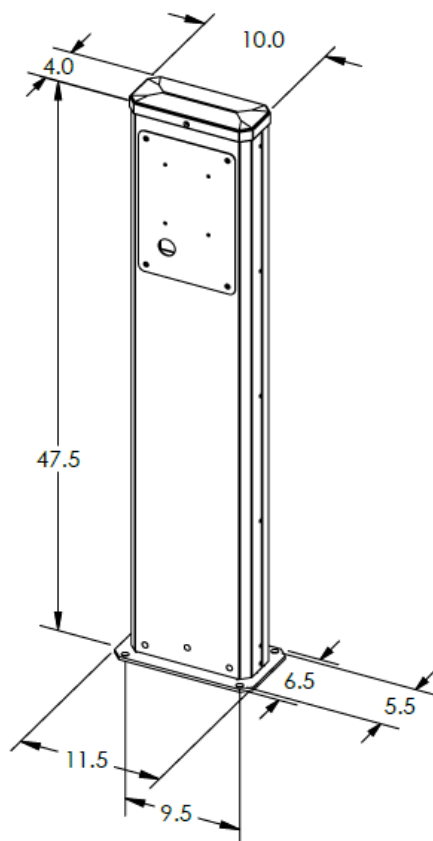


Specifications

Models* and Descriptions	EVPUE4D: 4-foot pedestal for Dual Chargers
Cable Holder Accessory (sold separately)	EVPUE4-CH Order (1) for single charger installation Order (2) for dual charger installation
Inner Dimensions	4.0" x 9.0" for wire pass through
Weight	27 lbs
Environmental Rating	NEMA 3R

* Contact Power Innovations for pre-drilled hole options

Product Dimensions (in)



Charger not included