

EVHDRET

Ceiling & Wall mounted EV Charger cable retractors

Description

The EVHDRET family of retractors provide a spring loaded and locking tether that helps suspend electric vehicle charging cables in place during charging but also while not in use. These retractors are easy to use and can either be ceiling mounted or wall mounted for high application flexibility.

An additional sleeve is included to install with the cable clamp that ensures suitability for a wide range of charging cable diameters (from 32 to 80A rated cables)

Features and benefits

- Galvanized steel housing for long lifetime
- Locking retractor design can maintain cable position
 - 2.5 to 4" locking increments
- Tested to more than 5000 cycles
- Suitable for indoor or outdoor installation
- 8 foot long, polyester cable
- Multiple retraction forces available for different cable diameters and weights

Applications

- Residential & Multi-unit dwellings
- EV infrastructure and service providers
- Retail & Hospitality
- Public & Commercial buildings
- Municipalities
- Small, Mid and Large Fleets & Depots



Ceiling Mount

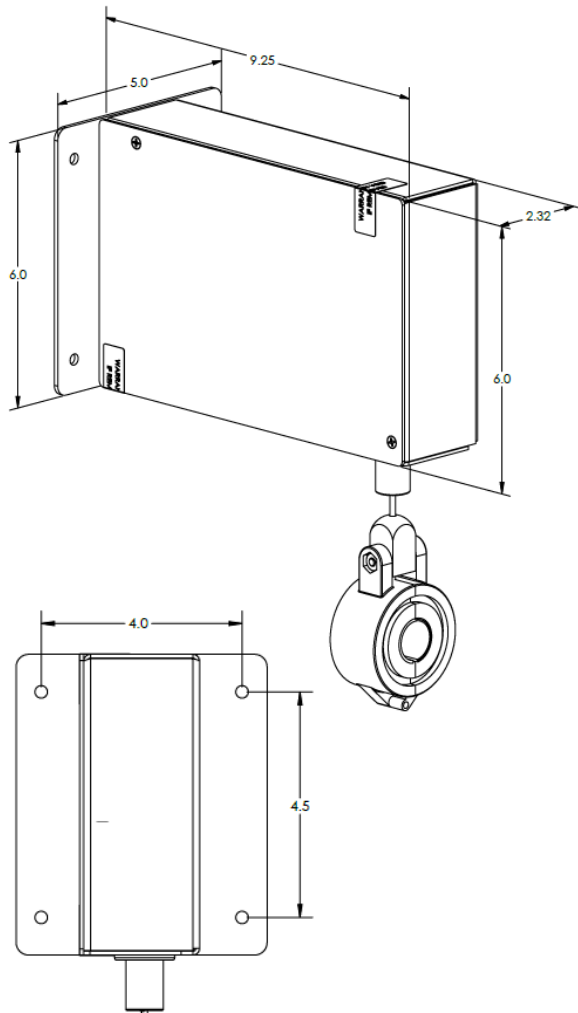


Wall Mount

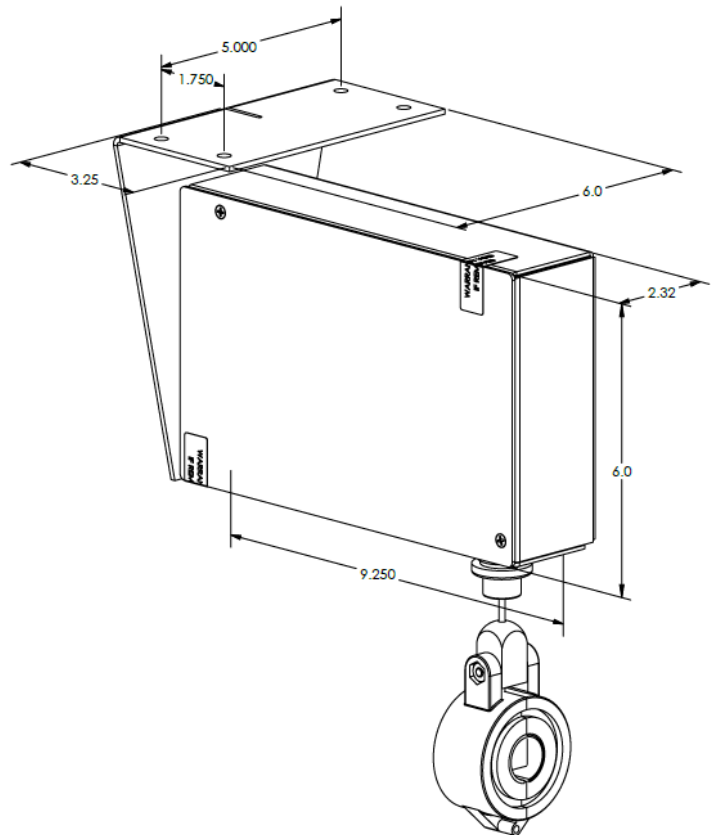
Specifications

Models and Descriptions Wall Mount	EVHDRET-W1 (locking type with 7-9 lb retraction force) EVHDRET-W2 (locking type with 10-12 lb retraction force) EVHDRET-W3 (locking type with 13-15 lb retraction force)
Models and Descriptions Ceiling Mount	EVHDRET-C1 (locking type with 7-9 lb retraction force) EVHDRET-C2 (locking type with 10-12 lb retraction force) EVHDRET-C3 (locking type with 13-15 lb retraction force)
Weight	11 lbs
Maximum Cable Diameter	0.95 in (24 mm)

Product Dimensions (in)



EVHDRET-W
(Wall Mount)



EVHDRET-C
(Ceiling Mount)